



# Swing Gate WMD-05S

## APPLICATIONS

- Fitness Centres
- Indoor Swimming Pools
- Waterparcs
- Wellness Resort
- Theme Parcs
- Public Transport

## FEATURES

- 5 Years warranty
- Remote Panel
- Mechanical Release Key
- Different Panel Sizes

## RFID OPTIONEN

- HF (ISO14443A)

## ► DESCRIPTION

The WMD-05S swing gate features new drive with a built-in high-accuracy location sensor (encoder). This high-accuracy positioning feature ensures proper synchronization of operation of two swing gates installed together and controlled with one signal.

Emergency unlocking input Fire Alarm enables connection of an external device which can unlock the gate for free passage in both directions.

The WMD-05S is operated from the remote control panel included in a standard delivery set or a wireless remote control (optionally) as well as can be easily integrated into most access control systems.

When access is granted, the swing gate automatically opens in the authorized passage direction. Once the passage is complete, the gate swing panel automatically returns to home position. In case of power failure the built-in standby power supply ensures proper operation of the swing gate for 90 minutes or 1200 passages.

The WMD-05S is a normally closed unit, i.e. the reset state of the swing gate is "closed for entry and exit" – the swing panel is locked in the home position.

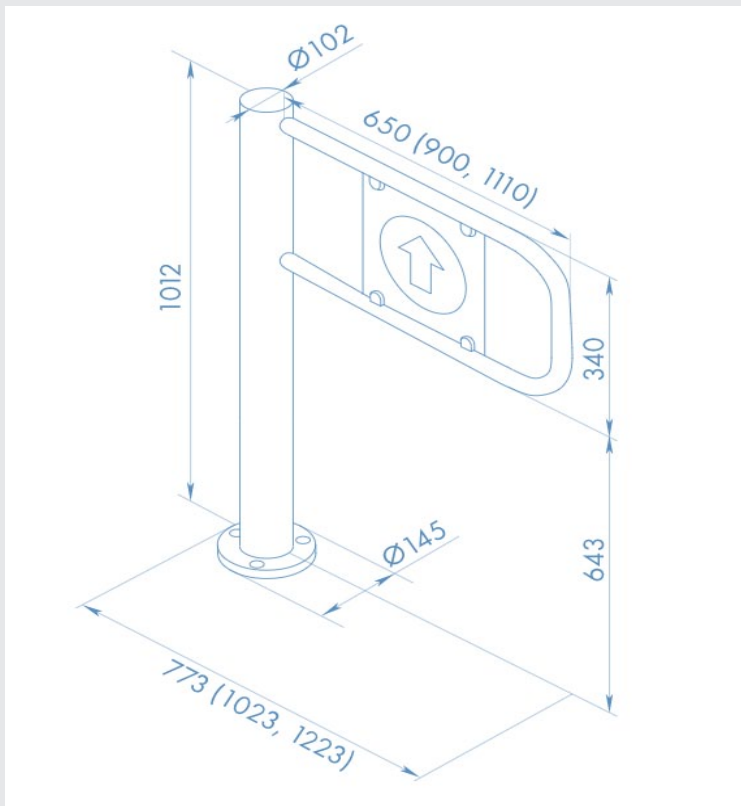
The swing gate is provided with a mechanical release lock built into the gate post to unlock the gate with a key in the event of emergency or malfunction upon which the swing panel can be manually rotated in either direction and left open.

► APPLICATION EXAMPLE

OFFICE BUILDINGS



► DIMENSIONS



## ► CHARACTERISTICS

Specifications	
Operating Voltage	24 V DC
Throughput rate	12 Persons/ min
Passage width	700 mm
Dimension	145×1223×1012 mm
Operating Temperature	from +1°C to +55°C
Protection Class	IP41
Housing	Brushed stainless steel

## ► ORDER CODES

VERSION	ORDER CODE
Swing gate for indoor usage	WMD-05S
ACCESSOIRES	ORDER CODE
Build in iDTRONIC RFID reader	WMD-05S-RFID
Optional power supply unit	WMD-05S-PS
The swin gates are supplied without panels because of that choose a panel in the table below	
Swing panel 650mm; plastic doublesided info sign	AG-650 / AGW-650
Swing panel 900mm; plastic doublesided info sign	AG-900 / AGW-900
Swing panel 1100mm; plastic doublesided info sign	AG-1100 / AGW-1100

iDTRONIC GmbH  
Ludwig-Reichling-Straße 4  
67059 Ludwigshafen  
GERMANY

Phone +49 (0) 621 66 90 09 4-0  
Fax +49 (0) 621 66 90 09 4-9  
E-Mail: [info@idtronic-secureaccess.de](mailto:info@idtronic-secureaccess.de)  
Web: [idtronic-secureaccess.de](http://idtronic-secureaccess.de)

For further information & prices, please contact [info@idtronic-secureaccess.de](mailto:info@idtronic-secureaccess.de)

Subject to alteration without prior notice  
©2020 iDTRONIC GmbH