

SPEED GATE ST-02

APPLICATIONS

- Large Office Buildings
- Logistic Centres
- Universities
- Airports
- Schools

FEATURES

- Stainless Steel Housing
- Top Cover: Black
10 mm Tempered Glass
- 2 different Versions
- Integrated LED Display
- Motorized Swing Panels
- Intrusion Detection
- Optional:
 - 2 RFID HF Reader
(MIFARE®)

RFID OPTION

- HF (ISO 14443A)

► DESCRIPTION

The Speed Gate ST-02 from iDTRONIC offers a safe, reliable and fast passenger entry control. It offers an ideal contactless solution for access control and convenient passage for high traffic volumes.

The Speed Gate is made of shiny stainless steel and has a top cover made of black 10 mm tempered glass. A special highlight are the LED indicators integrated in the top cover, which visually indicate the passage status as well as the passage direction. An additional built-in LED card display shows the user where the card (or wristband) must be held for reading. The built-in burglar alarm in the ST-02 ensures safe passage, even at peak times, and at the same time prevents several people from passing.

Particularly noteworthy are the different possible passage widths: 600 mm 900 mm. The main advantage of the extended 900 mm version is the easy and quick access for wheelchair users or people carrying bulky goods.

Thanks to the wired remote control supplied, the Speed Gate can be controlled from the reception. Optionally, two HF RFID readers can be integrated, which control the Speed Gate after successful verification and release the access. If the Speed Gate receives an emergency signal, the Speed Gate switches off automatically and allows a quick passage by slightly pushing the swing doors backwards.

Different Versions available:

- ST-02.600: 600 mm Passageway Width
- ST-02.900: 900 mm Passageway Width

The Turnstile has 3 Years Warranty from the date of sale.

► APPLICATION EXAMPLE

AIRPORTS



Airports have a high volume of passengers. The flights are clocked and the passenger handling must be fast. By using the ST-02 Speed Gate the access control can be optimized. The Speed Gate can be optionally equipped with two HF RFID readers. This allows access with a ticket with integrated RFID chip.

► PRODUCT PICTURES



ST-02.600: 600 mm

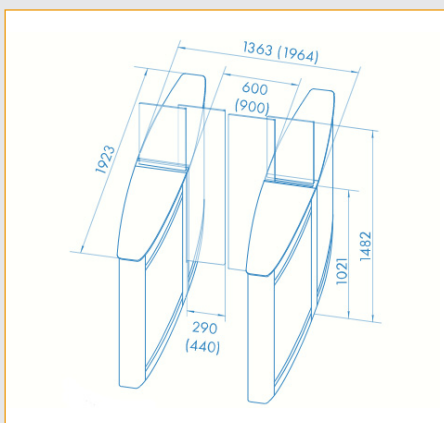


ST-02.900: 900 mm

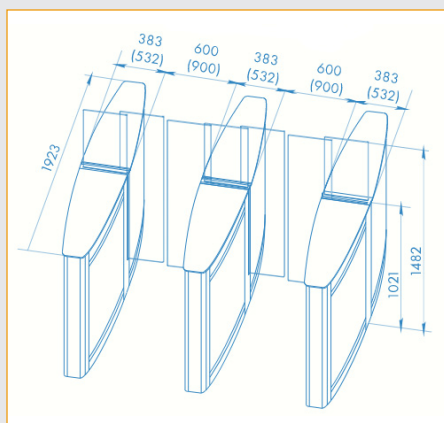


LED-DURCHGANGSANZEIGE

► DIMENSIONS



OVERALL



SEVERAL PASSAGE LANES

► CHARACTERISTICS

TECHNICAL DATA	
Operating Voltage	24 ± 2.4 VDC
Power Consumption	204 W
Consumption Current	8.5 A
Card Readers (optional)	2
Reading Range	min. 6 cm
Number of Cards	50.000
PERFORMANCE CHARACTERISTICS	
Number of Passage Directions	2
Throughput rate (in the single passage mode)	60 Persons per minute
Number of installed Passage Sensors	30
Mean Lifetime	8 Years
Mean Time to Failure	2 000 000 Passages
Warranty Time	3 years from the date of sale of the product
PHYSICAL CHARACTERISTICS	
<u>Dimensions (Length × Width × Height)</u> ST-02.600: 600 mm Passageway Width ST-02.900: 900 mm Passageway Width	1.923 × 1.364 × 1.482 mm 1.923 × 1.964 × 1.482 mm
<u>Passageway Width</u> ST-02.600: Standard Passageway Width ST-02.900: Large Passageway Width	600 mm 900 mm
Operating Temperature Range	+1 °C bis +50 °C
IP Protection Class	IP41 (EN 60529)
Electric Shock Protection Class	III (IEC 61140)
Housing Top Cover	Stainless Steel 10 mm black tempered Glass
Swing Panels	10 mm tempered Glass

► ORDER CODES

VERSIONS	ORDER CODES
ST-02.600: 600 mm Passageway Width	ST-02-600
ST-02.900: 900 mm Passageway Width	ST-02-900
ACCESSORIES	ORDER CODES
Built-In iDTRONIC RFID Reader	ST-02-RFID
Optional Power Supply Unit	ST-02-PS
Option: Cable tie mount (Sormat PFG IH10)	ST-02-AC-M10

iDTRONIC GmbH
Ludwig-Reichling-Straße 4
67059 Ludwigshafen
GERMANY

Phone +49 (0) 621 66 90 09 4-0
Fax +49 (0) 621 66 90 09 4-9
E-Mail: info@idtronic-secureaccess.com
Web: idtronic-secureaccess.com

For further information & prices, please contact info@idtronic-secureaccess.com

Subject to alteration without prior notice
©2020 iDTRONIC GmbH