



Box-Tripod TTD-10

APPLICATIONS

- Gyms
- Public swimming pool
- Wellness Resorts
- Discotheques/Clubs
- Hotels

FEATURES

- Modular design
- Additional Equipment
- Stainless steel housing
- Remote Panel
- Outdoor application
- Auto. Anti-Panic function
- LED-Display

RFID OPTION

- HF (ISO14443A)
- Coin acceptor
- Biometric scanner
- Breathalyser

► DESCRIPTION

Electromechanical turnstile with automatic anti-panic arms and the possibility of installing additional modules. There are different variants of side modules and side covers designed for connection of additional devices.

It is possible to mount ACS controls and iDTRONIC readers inside the turnstile. The working areas of the card readers are marked with special pictograms. The top covers are also supplemented by screens showing the operating modes of the turnstile.

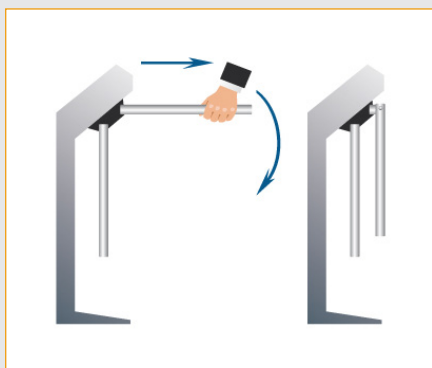
Automatic „anti-panic“ barrier arms - are a modern solution that makes it possible to clear the passage for the urgent evacuation of people in case of emergency. If the turnstile receives a signal from an ACS or a power failure occurs, the barrier arm automatically falls down and provides a free passage.

When the power is restored or the fire alarm signal is removed, the arm must be moved manually to the operating position. The power supply board is located in the turnstile housing and provides a complete set of turnstile control modes. The board provides emergency access in the event of a fire alarm signal (fire alarm input) and has inputs for connecting the intrusion detector with siren and outputs for connecting remote displays.

The TTD-10A box turnstile is made of stainless steel, which not only offers an elegant design but also corrosion resistance outdoors.

The turnstile has a three-year warranty from the date of purchase.

► APPLICATION EXAMPLE



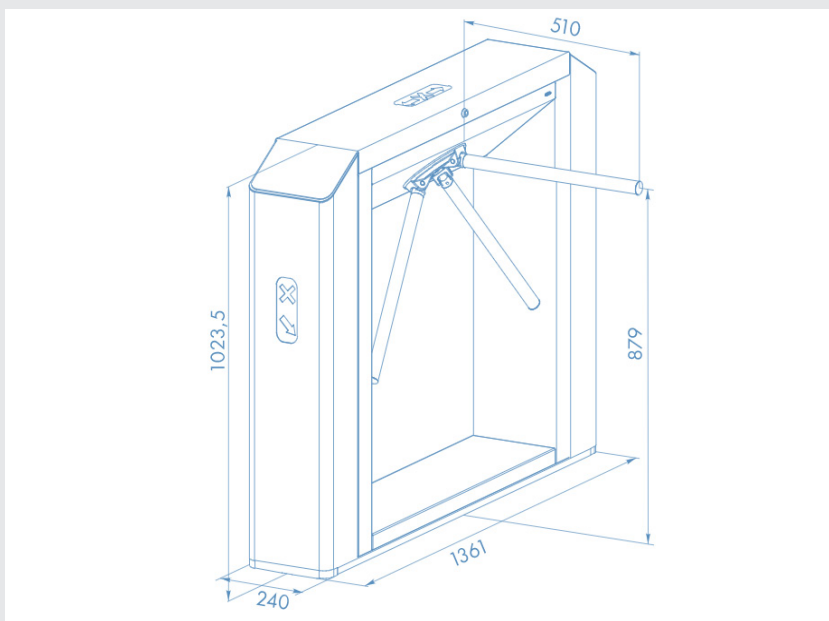
ANTI-PANIC FUNCTION



LED DISPLAY



► DIMENSIONS



► Technical Data

Specification	
Dimensions (length×width×height)	1361 × 750 × 1024 mm
Operating voltage	12 V DC
Power consumption	84 W
Consumption current	7.0 A
Throughput rate (in the single passage mode)	30 Personen/ min
Throughput rate (in the free passage mode)	60 Personen/ min
Passageway width	560mm
Gesteuerte Passagerichtungen	Bidirektional
Operating temperature range, under shelter	von -20°C bis +55°C
IP Code	IP 54
Barrier-Arms	„Anti-panic“ barrier arms automatic
Mean lifetime	8 Years
Mean time to failure	4 000 000 passages
Warranty period	3 Years from the date of sale of the product

► Order-Code

Version	Order code
Standard Version	TTD-10AB
Turnstile with card capture reader	TTD-10AC
Turnstile with coin acceptor	TTD-10APE
Accessoires	Order code
Build in iDTRONIC RFID reader	TTD-10XX-RFID
Optional power supply unit	TTD-10XX-PS
Module options	Order code
Standard sidecover stainless steel	TTD-10-C10B
Sidecover with a window for build in RFID reader	TTD-10-C10R
Sidecover with a frame for alcohol detectors and a window for RFID readers	TTD-10-C10A
Sidecover with a window for a barcode scanner	TTD-10-C10Q
Sidecover with a frame for biometrical scanners	TTD-10-C10F
Side cover with a slot for cards to use the TTD-10AC with every card capture reader	TTD-10-C10C

iDTRONIC GmbH
Ludwig-Reichling-Straße 4
67059 Ludwigshafen
GERMANY

Phone +49 (0) 621 66 90 09 4-0
Fax +49 (0) 621 66 90 09 4-9
E-Mail: info@idtronic-secureaccess.de
Web: idtronic-secureaccess.de

For further information & prices, please contact info@idtronic-secureaccess.de

Subject to alteration without prior notice
©2020 iDTRONIC GmbH