

TRIPOD TURNSTILE KT-02



APPLICATIONS

- Amusement Parcs
- Wellness Resorts
- Swimming Pools
- Public Transport
- Hospitals

FEATURES

- Powder-coated Steel
- Emergency Key
- Remote Panel
- LED Display

Optional:

- Anti-Panic Barrier Arms
- 2 RFID HF Reader (MIFARE®)

RFID OPTION

- HF (ISO14443A)

► DESCRIPTION

The Tripod Turnstile KT-02 from iDTRONIC is the basis type of our turnstiles. It is especially designed for indoor areas.

The housing of the KT-02 is made of powder-coated steel in dark grey. The barrier arms consist of glossy stainless steel.

The turnstile is equipped with two card readers. Optionally with EMM/HID or MIFARE®. As an option, the turnstile can be ordered with an RFID HF reader.

The LED illumination of the turnstile shows clearly if the person is authorized or not. Green light stands for an authorized person while the red stop signal indicates that the turnstile is closed and going through the control stays refused.

Free escape routes must be guaranteed in emergency situations. Mechanical anti-panic folding arms can be ordered as an option.

The standard delivery includes a wired remote control and an emergency key.

Available Versions:

- 2 EMM/HID Card Readers
- 2 MIFARE® Card Readers

Optional:

- 2 HF RFID Reader
- Anti-Panic Barrier Arms (mechanical)

The turnstile has a three-year warranty from the date of purchase.

► APPLICATION EXAMPLE

HOSPITALS



The safety regulations in different areas of hospitals are high. Only authorised personnel is allowed entrance. The KT-02 Tripod Turnstile is suitable for this kind of access control.

The turnstile can be optionally equipped with an HF RFID Reader. Thereby a passage with transponder, a card or badge with an integrated RFID chip is possible.

► PRODUCT PICTURES



ANTI-PANIC BARRIER ARMS

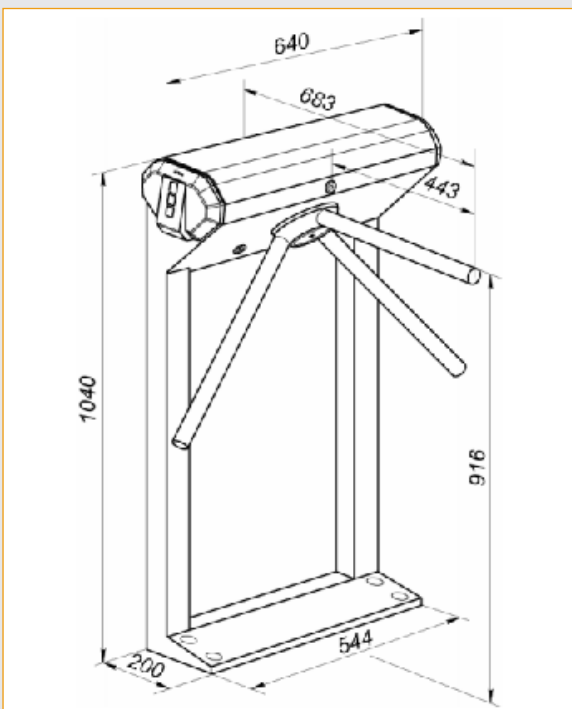


CARD READER FUNCTION



EMERGENCY LOCK

► DIMENSIONS



► CHARACTERISTICS

TECHNICAL DATA	
Operating Voltage	12 V DC
Power Consumption	10 W
Consumption Current	0.8 A
Communication Interface	Ethernet
Card Readers	2
Reading Range	min. 6 cm
Number of Cards	50.000
PERFORMANCE CHARACTERISTICS	
Number of Passage Directions	2
Throughput rate (in the single passage mode)	30 Persons / minute
Throughput rate (in the free passage mode)	60 Persons / minute
Mean Lifetime	8 Years
Mean time to failure	4 000 000 Passages
"Anti-Panic" Function	optional (mechanical)
Warranty Time	3 years from the date of sale of the product
PHYSICAL CHARACTERISTICS	
Dimensions (Length × Width × Height)	640 × 683 × 1.040 mm
Passageway Width	500 mm
Operating Temperature Range	+1 °C to +50 °C
IP Protection Class	IP41
Housing	Steel – sandpaper powder coating with pearl mica effect
Top Cover Barrier Arms	Stainless Steel

► ORDER CODES

VERSIONS	ORDER CODE
KT-02.3 with 2 EMM/HID Card Readers	KT-02.3
KT-02.7 with 2 MIFARE® Card Readers	KT-02.7
ACCESSORIES	ORDER CODE
Build in iDTRONIC RFID reader	KT-02.3(.7)-RFID
Optional Power Supply unit	KT-02-PS
Standard barrier arms	KT-02-AS
Anti panic folding arms, mechanical	KT-02-AA
Single user software (free of charge)	KT-02-SL01
Single user software package with visual verification	KT-02-SL02

iDTRONIC GmbH
Ludwig-Reichling-Straße 4
67059 Ludwigshafen
GERMANY

Phone +49 (0) 621 66 90 09 4-0
Fax +49 (0) 621 66 90 09 4-9
E-Mail: info@idtronic-secureaccess.de
Web: www.en.idtronic-secureaccess.de

For further information & prices, please contact info@idtronic-secureaccess.de

Subject to alteration without prior notice
©2019 iDTRONIC GmbH